

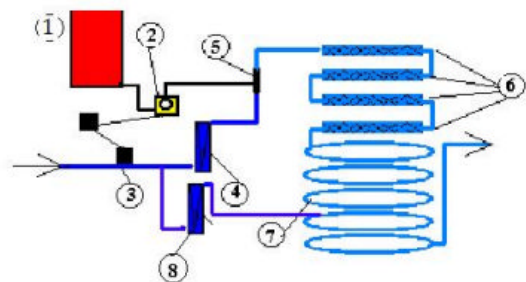
SVENMIX PLUS

POLYMER MIXING SYSTEM

The SVENMIX PLUS is an accurate, compact system for producing a completely made down solution from any type of liquid polymer. The SVENMIX Intelligent Controller, the most advanced micro-processor based unit available on any chemical mixing and injection system, provides precise control of the polymer solution concentration. The SVENMIX Plus is constructed of corrosion resistant materials. The simplified design of the mixing process reduces the number of moving parts required, reducing total maintenance. The integral calibrated day tank provides flooded suction to the polymer pump eliminating priming problems.

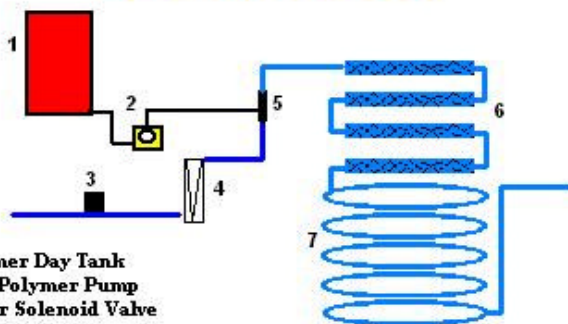


SVENMIX PLUS APD



- | | |
|---------------------------|--------------------------------------|
| 1] Polymer Day Tank | 6] Static Mixers |
| 2] Neat Polymer Pump | 7] Mixing and Homogenization Section |
| 3] Water Solenoid Valve | 8] Post-Dilution Flowmeter |
| 4] Mixing Water Flowmeter | |
| 5] Mixing Tee | |

SVENMIX PLUS PA



- | |
|--------------------------------------|
| 1] Polymer Day Tank |
| 2] Neat Polymer Pump |
| 3] Water Solenoid Valve |
| 4] Mixing Water Flowmeter |
| 5] Mixing Tee |
| 6] Static Mixers |
| 7] Mixing and Homogenization Section |

The SVENPLUS is available in sizes from 0.02 to 20.0 GPH neat polymer. Smaller units employ a diaphragm injection pump. Larger units mount a hose pump or progressing cavity pump. Every size SVENMIX can be equipped for post dilution. Accessories available include extended aging vessels, tote or bulk tank connections, and floor supports or wall mounting lugs.

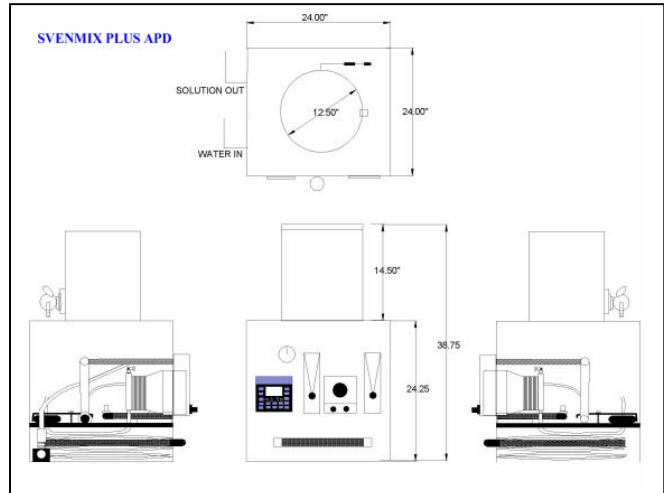
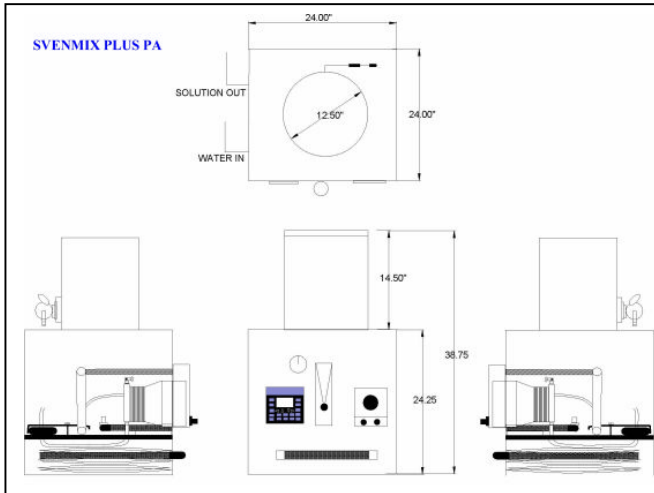
SVENMIX PLUS



ROBERTS, WI. WWTP



DECORAH, IA. WWTP



MODEL	DILUTION WATER CAPACITY	NEAT POLYMER MAX. CAPACITY	MIN % SOLUTION	RESERVOIR
SM105XXX	0-10 GPM	0.42 GPH (10 GPD)	0.01	5.0 Gal.
SM1010XXX	0-10 GPM	0.42 GPH	0.01	10.0 Gal.
SM145XXX	0-10 GPM	0.60 GPH (14 GPD)	0.01	5.0 Gal.
SM1410XXX	0-10 GPM	0.60 GPH	0.01	10.0 Gal.
SM245XXX	0-10 GPM	1.0 GPH (24 GPD)	0.015	5.0 Gal.
SM2410XXX	0-10 GPM	1.0 GPH	0.015	10.0 Gal.
SM485XXX	0-10 GPM	2.0 GPH (48 GPD)	0.02	5.0 Gal.
SM4810XXX	0-10 GPM	2.0 GPH	0.02	10.0 Gal.
SM6010XXX	0-10 GPM	2.5 GPH (60 GPD)	0.03	10.0 Gal.
SM9610XXX	0-20 GPM	4.0 GPH (96 GPD)	0.01	10.0 Gal.
SM19210XXX	0-20 GPM	8.0 GPH (192 GPD)	0.02	10.0 Gal.

SVENMIX
1.800.658.3955
www.svenmix.com
sven@svenviro.com